





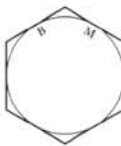
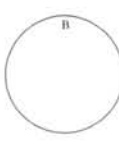
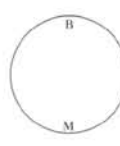
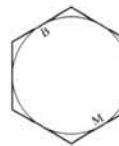






# NUTS, BOLTS, WASHERS, SCREWS, ETC

## FASTENER GRADES & MARKINGS

Product Group	BSW Hex Bolt and Nut	Metric Hex Bolt and Nut	BSW Cup Head Bolt and Nut	Metric Cup Head Bolt and Nut	Metric Coach Screw
					
Mild Steel Commercial	Mild Steel	Commercial Class 4.6	Class 4.6	Class 4.6	
Product Specification	AS2451	AS1111 (Bolt) AS1112 (Nut)	ASB108 (Bolt) AS2451 (Nut)	AS1390 (Bolt) AS1112 (Nut)	AS1393
<b>Nominal Strengths</b>					
	Tensile	63,000 lb/in <sup>2</sup>	400MPa		400MPa
Bolt	Yield		240MPa		240MPa
	Proof		225MPa		225MPa
Nut	Proof	63,000 lb/in <sup>2</sup>	580MPa	63,000 lb/in <sup>2</sup>	580MPa
<b>Grade Source Marking</b>					

Product Group	UNC/UNF High Tensile Bolt and Nut	UNC/UNF High Tensile Bolt and Nut	Metric High Tensile Bolt and Nut	Metric Structural Bolt and Nut
				
Grade 5 Grade 8	Class 8.8	Class 8.8		
Product Specification	AS2465	AS2465	AS1110 (Bolt) AS1112 (Nut)	AS1252
<b>Nominal Strengths</b>				
	Tensile	120,000 lb/in <sup>2</sup>	150,000 lb/in <sup>2</sup>	800MPa
Bolt	Yield	92,000 lb/in <sup>2</sup>	130,000 lb/in <sup>2</sup>	640MPa
	Proof	85,000 lb/in <sup>2</sup>	120,000 lb/in <sup>2</sup>	580MPa
Nut	Proof	UNC 120,000 lb/in <sup>2</sup> UNF 109,000 lb/in <sup>2</sup>	150,000 lb/in <sup>2</sup>	800MPa
<b>Grade Source Marking Bolt</b>	